



Thank you for purchasing a Borla Performance Cat-Back™ Exhaust System.

Precision manufactured using aircraft quality T-304 stainless steel; this system is designed to endure years of heavy use. Installing a Borla Performance Exhaust System on your vehicle will eliminate the restrictive design of the stock exhaust, allowing your engine to discharge exhaust gas easier. The result is more horsepower and torque, longer engine life, and a distinctive throaty growl- all this, with easy bolt-on installation. These installation instructions have been written to help you in the installation of your Borla Performance Exhaust System. Please read it completely before installing your system.

This Borla Performance Cat-Back™ Exhaust System (Part number 14961) has been designed for the 1997-2004 Chevrolet Corvette C5/Z06 equipped with automatic or standard transmissions.

Borla Performance Industries recommends that an exhaust shop or professional after market parts installer, who has all the necessary equipment, tools and experienced personnel needed for proper installation, should perform the installation of this system. However, if you decide to perform the installation, we recommend someone should help you. Ensure the installer uses all under car safety precautions including eye protection.

Please take time to read and understand the following...

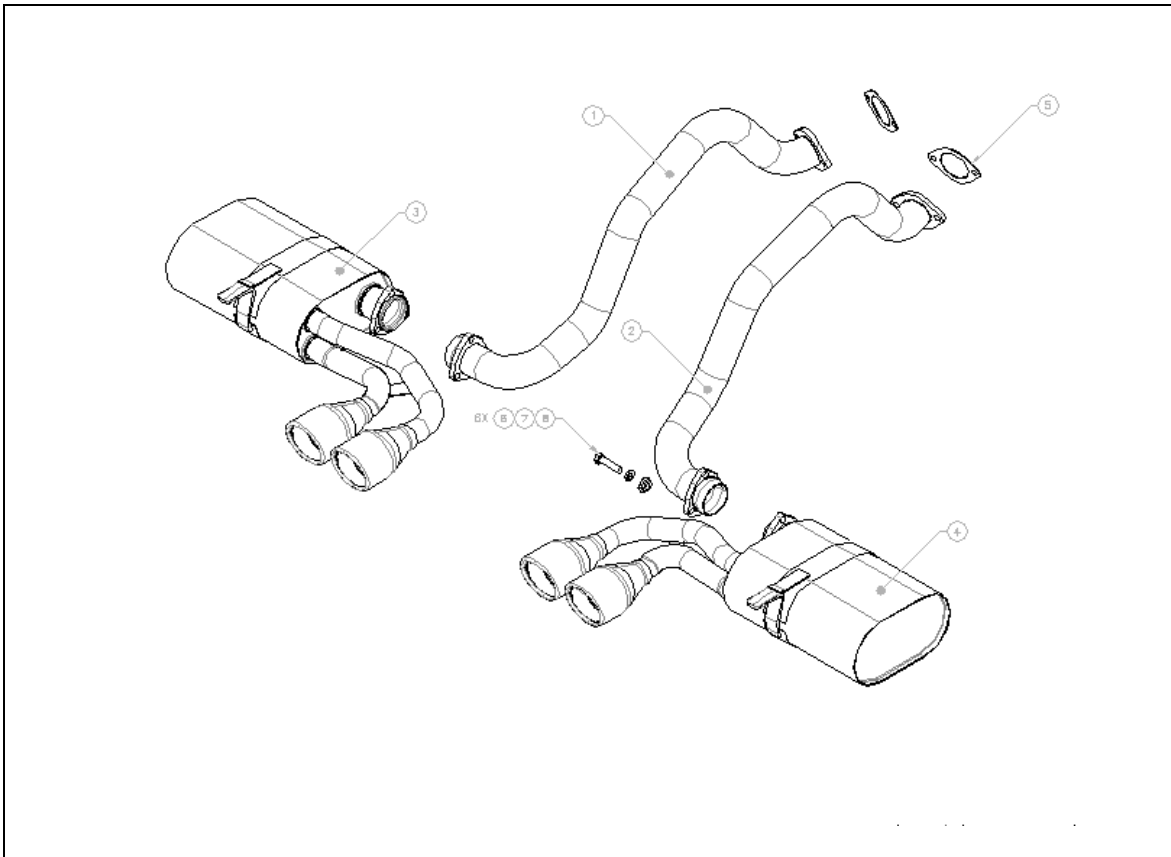
By installing your Borla Performance Exhaust System, you indicate that you have read this document and you agree with the terms stated below.

It is the responsibility of the purchaser to follow all installation instruction guidelines and safety procedures supplied with your Borla Performance Exhaust System.

Borla Performance Industries assumes no responsibility for damages occurring from misuse, abuse, improper installation, improper operation, lack of responsible care, or all previously stated reasons resulting from incompatibility with other manufacturer's products and/or systems.

Included with your Borla Performance Exhaust System is a warranty card. Please read it carefully before you begin any work on your vehicle. If you should have any questions regarding our warranty policy, installation, or any other matter pertaining to your new Borla Performance Exhaust System, please give us a call at the number provided on the warranty card.

Borla Performance Cat-Back™ Bill of Materials



1. Left over axle pipe assembly
2. Right over axle assembly
3. Left muffler assembly
4. Right muffler assembly
5. Flange gasket (qty. 2)
6. Muffler flange bolt (qty 6)
7. Flat washer (qty 6)
8. Muffler flange bolt (qty 6)

Caution!!! Never work on a hot exhaust system. Serious injury in the form of burns can result If the vehicle has been in use and the exhaust system is hot, allow vehicle to cool for at least 1 hour. Always wear eye protection when working under any vehicle.

Note: It is our recommendation that you use a hoist or hydraulic lift to facilitate the installation of your new Borla Performance Cat-Back™ Exhaust System.

Taking all under car safety precautions, lift the vehicle using a hoist or hydraulic lift. Once this has been done, you may begin the removal of your old exhaust system from your vehicle.

Note: Before removing the original exhaust system from your vehicle, please compare the parts you have received with the bill of materials provided on the previous page to assure that you have all the parts necessary for the installation of your new Borla Performance Cat-Back™ Exhaust System.

Original Exhaust System Removal

Note: With a used vehicle, we suggest a penetrating spray lubricant to be applied liberally to all exhaust fasteners and allowing a significant period of time for the chemical to lubricate the threads before attempting to disassemble.

1. Remove two top bolts and two bottom nuts shown in figure 1 securing the anti-sway bar leaving the bottom bolts in place, which run through the lower control arm.
2. Swing the anti-sway bar down and out of the way.
3. Remove the two bolts shown in figure 2 from each flange in front of the over axle pipe assemblies.

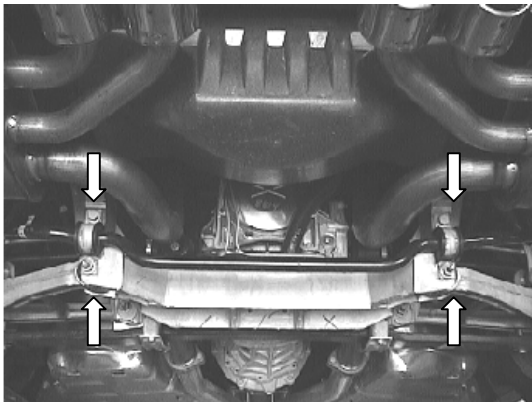


Figure 1

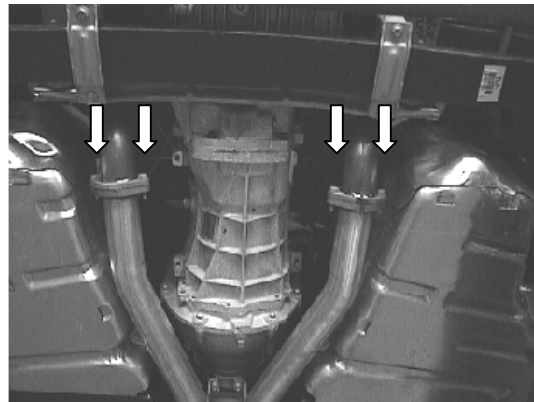


Figure 2

4. On automatic transmission equipped models, remove the muffler hangers shown in figure 3 located above the mufflers at the rear of the vehicle by removing the two bolts holding each one in place. On manual transmission models this does not have to be done, as there is more room to remove the muffler/over axle pipe assemblies.
5. Remove the old exhaust system from the vehicle as shown in figure 4.



Figure 3



Figure 4

You are now ready for the installation of your Borla Performance Cat-Back™ System.

Borla Performance Cat-Back™ Exhaust System Installation

Warning: Use extreme caution during installation. Torque all fasteners according to manufacturer's torque values and tightening sequence. **DO NOT** use air impact tools to tighten fasteners on Borla Performance Exhaust Systems. Use of such tools may result in bent flanges or gasket contact areas leading to exhaust leaks.

1. Place each Borla Performance over axle pipe assembly as shown in figure 5 into position and bolt onto the flange using the provided gaskets and original hardware.
2. On automatic transmission equipped models, slide rubber muffler hangers on to the muffler brackets, now place the mufflers into position attaching them to the over axle pipe assemblies using the hardware provided and bolt the rubber hangers back into position. On manual transmission equipped models you should be able to slide muffler hangers back into their rubber brackets and attach mufflers to over axle pipe assembly as shown on figure 6 using the hardware provided.



Figure 5



Figure 6

3. Holding exhaust tips into proper position, tighten the flanges at the muffler.
4. Check your exhaust system for proper clearance under the vehicle and also for tip alignment.
5. Once position has been determined to be correct, swing the anti-sway bar back into position re-installing the original hardware previously removed.
6. Before starting your vehicle, make sure to check all wires, hoses, brake lines, body parts and tires for safe clearance from the exhaust system.
7. Start vehicle and check for any leaks. If any leaks are found, determine cause (such as loose or incorrectly positioned clamp) and repair as necessary.

Note: When you first start your vehicle after the installation of your new Borla Performance Exhaust System, there may be some smoke and fumes coming from the system. This is a protective oil based coating used in the manufacturing of mandrel bent performance exhaust tubing. This is not a problem and will disappear within a very short period of time after the exhaust has reached normal operating temperatures.



Congratulations!!! You have completed the installation of the world famous Borla Performance Stainless Steel Exhaust System.